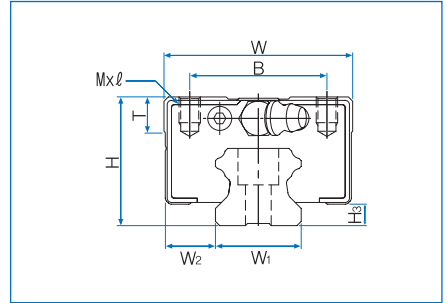
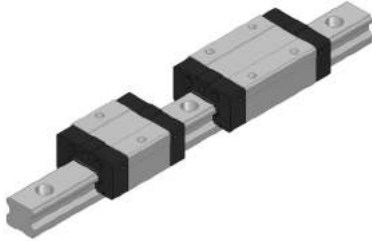
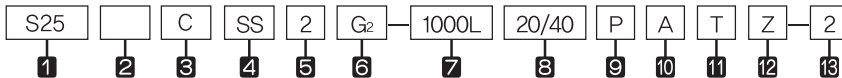


## S-C Series, S-R Series



| Model No. | External dimensions |         |          | Dimensions of block |    |        |                |     |     |    |               | H <sub>3</sub> |
|-----------|---------------------|---------|----------|---------------------|----|--------|----------------|-----|-----|----|---------------|----------------|
|           | Height H            | Width W | Length L | B                   | C  | M x l  | L <sub>1</sub> | T   | N   | E  | Grease nipple |                |
| S 15C     | 24                  | 34      | 40,2     | 26                  | –  | M4 x 6 | 24             | 6   | 6   | 6  | A-M4          | 4,5            |
| S 15R     |                     |         | 56,9     |                     | 26 |        | 40,7           |     |     |    |               |                |
| S 20C     | 28                  | 42      | 47,2     | 32                  | –  | M5 x 7 | 27,6           | 7,5 | 5,5 | 12 | B-M6F         | 6              |
| S 20R     |                     |         | 66,3     |                     | 32 |        | 46,7           |     |     |    |               |                |
| S 25C     | 33                  | 48      | 59,1     | 35                  | –  | M6 x 9 | 34,4           | 8   | 6   | 12 | B-M6F         | 7              |
| S 25R     |                     |         | 83       |                     | 35 |        | 58,2           |     |     |    |               |                |

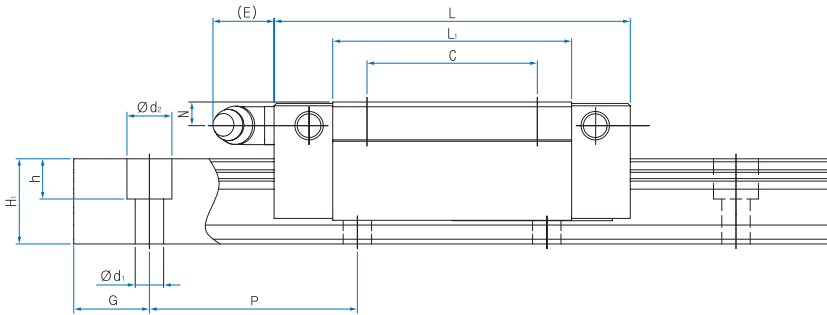
## Composition of Model No.



- 1** Model No. of Linear Motion Guide
- 2** Type of block : **No symbol**–Full-ball type / **S**–Spacer Chain type
- 3** Form of block : **C**–Rectangular short type / **R**–Rectangular standard type / **CF**–Flange short type / **F**–Flange standard type
- 4** Type of seal : **UU**–End seal / **SS**–End seal + Inside seal / **ZZ**–End seal + Inside seal + metal scraper  
**UULF**–End seal + LF seal / **SSLF**– End seal + Inside seal + LF seal / **ZZLF** – End seal + Inside seal + metal scraper + LF seal (\*1)
- 5** Number of blocks combined in 1 rail
- 6** Symbol of clearance : **No symbol**–Normal preload / **G<sub>1</sub>**–Light preload / **G<sub>2</sub>**–Heavy preload / **G<sub>s</sub>**–Special preload (\*2)
- 7** Length of rail
- 8** Size of G value : standard G value has no symbol.
- 9** Symbol of precision : **No symbol**–Moderate precision / **H**–High precision / **P**–Precision / **SP**–Super Precision / **UP**–Ultra Precision (\*3)
- 10** **No symbol**–Rail counter bore type (A topside assembly) / **A**– Rail tap hole type (an underside assembly)(\*4)
- 11** Connection symbol
- 12** Special symbol
- 13** Number of axis used on the same surface

(\*1) See P77 Symbol List of Optional Parts (\*2) See P17 Radial Clearance

(\*3) See P24 Selection of Precision Class (\*4) See P59 The reference for standard tap hole type of a rail



Unit : mm

| Dimensions of Rail               |                |                         |            |            |                                     | Basic load rating |                      | Static allowance moment kN·m |            |                |            |                | Mass        |              |
|----------------------------------|----------------|-------------------------|------------|------------|-------------------------------------|-------------------|----------------------|------------------------------|------------|----------------|------------|----------------|-------------|--------------|
| Width<br>W <sub>1</sub><br>±0.05 | W <sub>2</sub> | Heigh<br>H <sub>1</sub> | Value<br>G | Pitch<br>P | d <sub>1</sub> x d <sub>2</sub> x h | C<br>kN           | C <sub>0</sub><br>kN | M <sub>p</sub>               |            | M <sub>y</sub> |            | M <sub>r</sub> | Block<br>kg | Rail<br>kg/m |
|                                  |                |                         |            |            |                                     |                   |                      | 1                            | 2(contact) | 1              | 2(contact) | 1              |             |              |
| 15                               | 9,5            | 13                      | 20         | 60         | 4,5x7,5x5,3                         | 7,0               | 10,0                 | 0,042                        | 0,224      | 0,042          | 0,224      | 0,079          | 0,096       | 1,3          |
|                                  |                |                         |            |            |                                     | 9,9               | 16,2                 | 0,115                        | 0,552      | 0,115          | 0,552      | 0,129          | 0,156       |              |
| 20                               | 11             | 16,5                    | 20         | 60         | 6x9,5x8,5                           | 9,8               | 13,1                 | 0,063                        | 0,342      | 0,063          | 0,342      | 0,137          | 0,153       | 2,2          |
|                                  |                |                         |            |            |                                     | 13,7              | 21,2                 | 0,173                        | 0,838      | 0,173          | 0,838      | 0,223          | 0,246       |              |
| 23                               | 12,5           | 20                      | 20         | 60         | 7x11x9                              | 15,7              | 20,4                 | 0,123                        | 0,670      | 0,123          | 0,670      | 0,246          | 0,254       | 3,0          |
|                                  |                |                         |            |            |                                     | 22,1              | 33,1                 | 0,337                        | 1,636      | 0,337          | 1,636      | 0,398          | 0,413       |              |

1N=0,102kgf

